

homeward**b**ath

# **AQUARITE**

Model: HW305930

Installation Manual



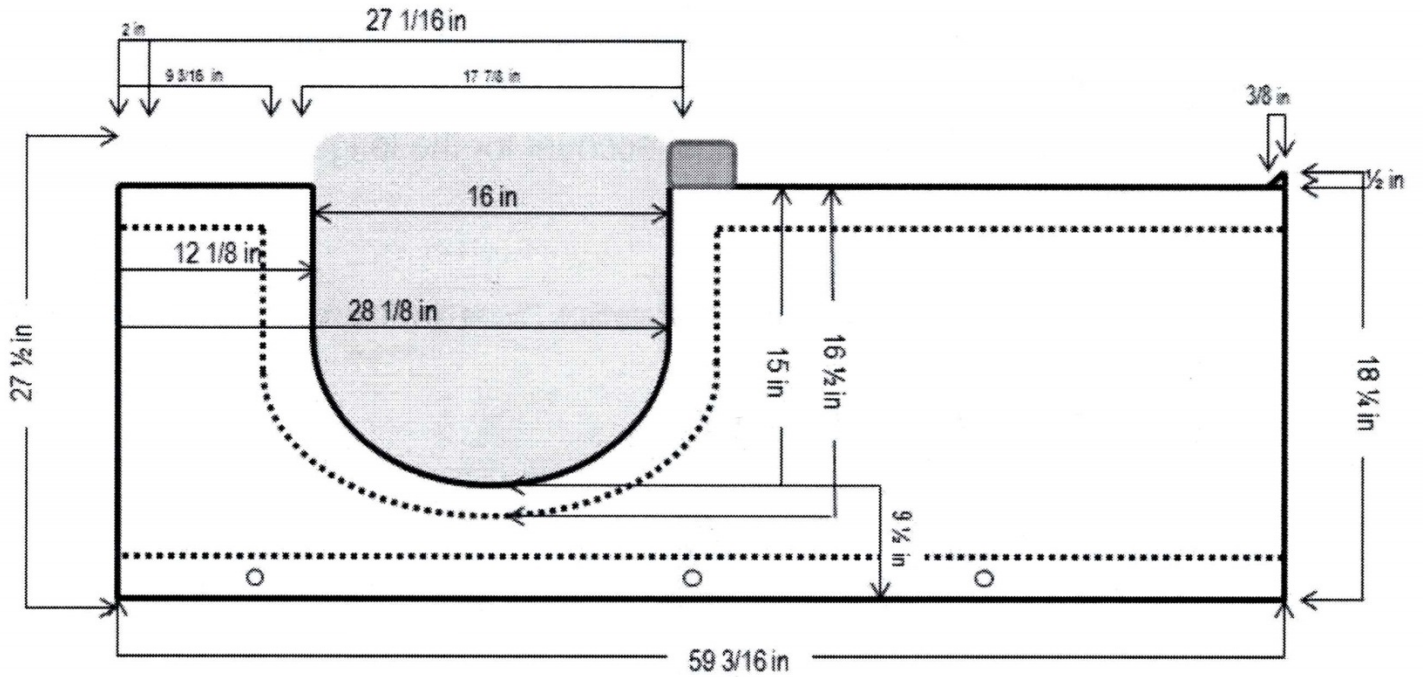
**Table of Contents**

Diagrams ..... 1  
Notice to Installers ..... 2  
Tools Needed for Installation ..... 2  
Drain Assembly Information ..... 2  
Tub Installation ..... 3

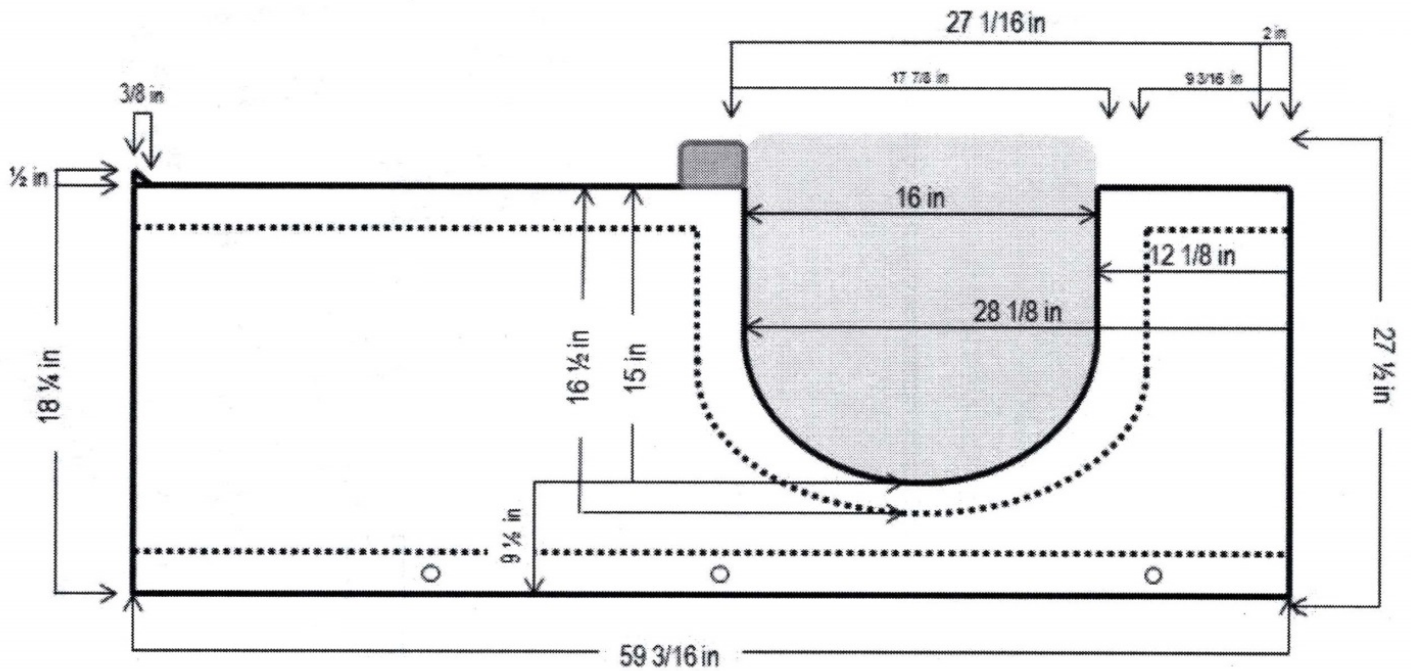
**Note: Holes for the drain and overflow are to be made by installer. The centers are marked. The hole for drain is 2in or 51mm. The hole for the overflow is 2 ½ in or 64mm.**

## **DIAGRAMS:**

### Left Hand Drain Tub



### Right Hand Drain Tub

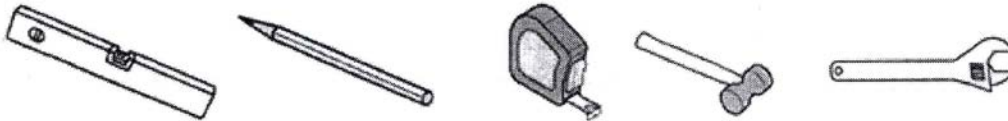


## NOTICE TO INSTALLERS:

- ✓ Tub needs to be leveled in its final resting position, mark the placement, and then level. All feet must be touching the floor.
- ✓ It is advised to have the tub onsite before preparing drain location.
- ✓ Make sure the floor can withhold the weight of the product.
- ✓ This is a freestanding tub. You must account for the length of the skirt if tiling the tub.
- ✓ Make sure the door assembly is tested for water leakage before tiling around the tub. If there is a problem with the door sealing, you will have more adjustment options available to correct the issue.
- ✓ Heated air jet system requires 110V / 20 amp dedicated line
- ✓ Microbubble system requires 110/120V 15 amp breaker

*Manufacturer reserves the right to change specs or features at any time. Please check to confirm details. 1-866-783-2661*

## Tools needed for installation:



## DRAIN ASSEMBLY INFORMATION

**Note:** One 8in section of Schedule 40, 1 ½ in drain pipe for item #8 of water bath waste system will be needed in addition to the drain kit included with the tub.

**Step 1:** Cut the 1 ½ in Schedule 40 pipes (Item 8 and Item 10) to the desired lengths to fit the tub.

**Step 2:** Using the proper solvent cement, assemble the bath drain pipes and fittings (Item 7 thru Item 11).

**Step 3:** Place foam gasket (Item 12) onto overflow elbow (Item 11).

**Step 4:** Insert overflow elbow and foam gasket assembly into the tub overflow hole from the back of the tub.

**Step 5:** Screw on retainer nut (Item 13) from inside of the tub. Hand-tighten only.

**Step 6:** Secure drain elbow (Item 7) and drain flange gasket (item 6) under the tub by screwing in the strainer body (Item 5) through tub drain hole from inside the tub. If not testing the drain waste, skip to step 8.

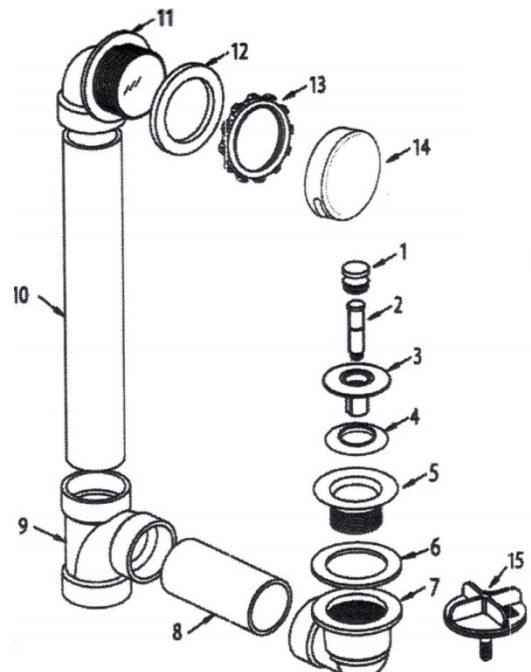
**Step 7:** Screw the strainer test plug (Item 15) into the strainer body (Item 5) and test the system. Once testing is complete, remove the strainer test plug (Item 15).

**Step 8:** Cut away the orange test membrane from the overflow elbow (Item 11).

**Step 9:** Snap on the overflow plate (Item 14) with the slot facing downward.

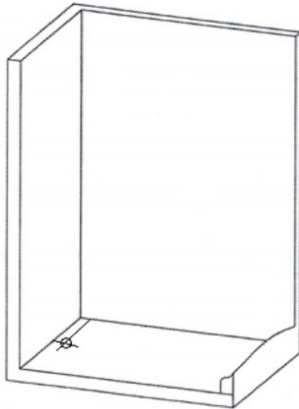
**Step 10:** Install the stopper assembly (Item 1 thru 4) into the strainer body (Item 5).

**Note:** Items 1 thru 4 may vary depending on the type of stopper assembly being used.

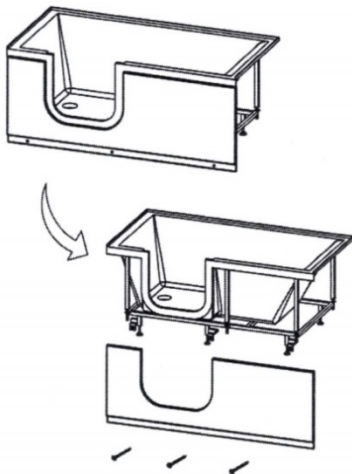


# TUB INSTALLATION

1. Walls and floor must be clear of any debris. Note: Tub comes with 90 degree drain; make sure your drain location will work with the drain.

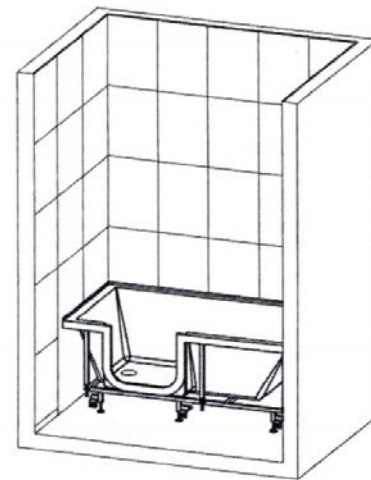
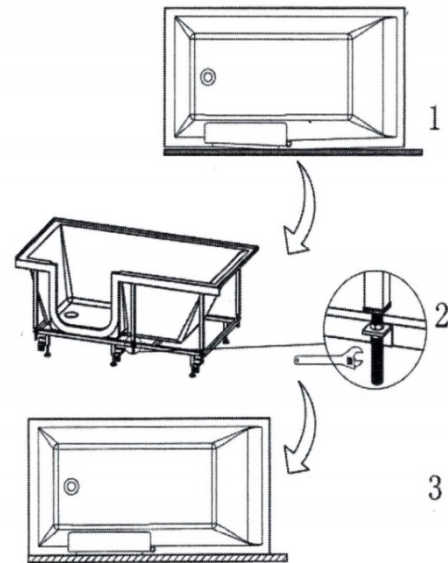
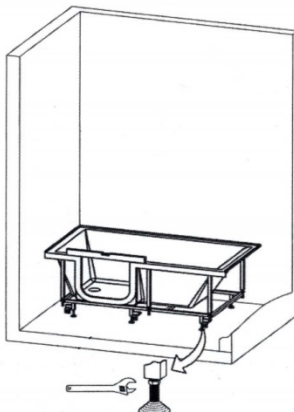


2. Remove the skirt from the tub for easy access.



**\*Please allow room for the skirt after installation.**

3. Place tub in final resting place, making sure tub is level and all feet are properly supporting tub. Adjust the feet if necessary.



4. Water test:

Before finish work is done, the tub has to be checked for leaks. Close and lock the glass door. Fill the tub to the overflow control.

**NOTE:** Any gaps between the skirt and the tub can be caulked with latex caulk. The caulk can be removed and replaced when the tub needs service.

5. Reattach the skirt.

**Note:** The air jet system will automatically turn back on approximately 15 minutes after each use. This cycle flushes out and cleans the pipes.

# homeward**b**ath

22900 Miles Rd  
Cleveland, OH 44128  
Phone: 866-783-2661  
Fax: 440-348-2336

[www.homewardbath.com](http://www.homewardbath.com)

