



STEAM PLANET
LUXURY STEAM SHOWER

STEAM ROOM with TUB

Installation & Operation Manual



MK545



MK557/33



MK547

Note: You must read all installation & operation instructions prior to assembly and use of this unit.

Table of Contents

Notice to Installers	3
Product Features Chart	4
Unit Information	4
Plumbing Requirements	5
Electrical Requirements	5
MK557/33 & MK545 Information	6
MK557/33 & MK545 Assembly	7-8
MK547 Information	9
MK547 Assembly	10-11
Accessories Connections	12
Roof Connections	12
Cleaning	13
General Use and Maintenance	13
Main Control Panel Diagram	14
Description of Functions	15-16
Remote Control	17
Troubleshooting	18

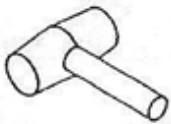
NOTICE TO INSTALLERS

THE FLEXIBLE DRAIN HOSE THAT IS INCLUDED WITH THIS UNIT IS FOR INSTALLATION INTO AN OPEN FLOOR DRAIN ONLY. SUBSTITUTING THE EXISTING DRAIN SHOE FOR A DIFFERENT ONE WILL NOT VOID THE WARRANTY AS LONG AS THERE NO DAMAGE OR EVIDENCE OF MISUSE TO THE BASE

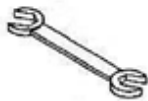
- (1) Unit requires the height from the floor to the ceiling must be 10cm (4inches) higher than the total product height.
- (2) The product requires 40-75psi water pressure, and balance hot and cold water pressure. If the end user is not satisfied with the water pressure, have your plumber add a pressure pump on your general water supply of the house.
- (3) Please make sure there is a GFCI Protection outlet on the power supply line or a GFCI breaker at the box.
- (4) After finishing assembling the product, it is advised to have an access panel so that basic maintenance can be done.
- (5) Units come broken down in boxes and are assembled with screws, nuts, and bolts on site. All seams are to be caulked with 100% silicone at room temperature (no latex caulking). We advise to allow 48 hours for caulk to cure. It takes 2 people to install this unit
- (6) **Note:** Tub needs to be leveled in its final resting position, mark the placement, then pull tub out and begin assembly of wall panels. Glass pieces on the front of bathtub are fixed and do not open. It is advised to have tub onsite before preparing drain location.
- (7) **All fittings and connections must be checked for tightness.**
 - a. When receiving the product, please check the package and the product, especially if there is some damage to the packaging to make sure there is no damage from shipping. If there is damage, please notify the supplier right away within 24hours.
- (8) Make sure the floor can withhold the weight of the product, and the electricity and plumbing are according to the National Standard.

Manufacturer reserves the right to change specs or features at anytime. Please check to confirm details. 1-866-783-2661

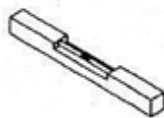
Here are the tools you may need for installation:



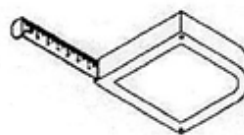
Rubber Mallet



Wrenchs



Level



**Tape
Measure**



Philips #2



Pencil

Product Features

DESCRIPTION	MK545	MK557/33	MK547
3.5KW Quick heating -Self-Draining Steam Generator w/Steam	✓	✓	✓
Aromatherapy Cup	✓	✓	✓
Whirlpool jetted bath tub	✓	✓	✓
Multiple luxurious Body Massage Jets	✓	✓	✓
Hand-held Shower w/ Various water massage settings & adjustable height bracket	✓	✓	✓
8 inch wide, water-drenching Rainfall Shower	✓	✓	✓
Thermostatic / Anti-scald Faucet	✓	✓	✓
Complete media center with FM Radio and CD player input (RCA)	✓	✓	✓
MP3, & iPod wireless Transmitter – <i>optional extra</i>	✓	✓	✓
Mood lighting	✓	✓	✓
Convenient Accessory Rack	✓	✓	✓
Polished Aluminum Trim	✓	✓	✓
Circulation Fan	✓	✓	✓
Foot Massage	✓	✓	✓
Underwater Lighting	✓	✓	✓
Adjustable Time Settings	✓	✓	✓
Computerized Panel with Wireless Remote Control	✓	✓	✓
Polished Acrylic surface with Fiberglass reinforcement	✓	✓	✓
Sliding Doors	✓	✓	✓
Removable Skirt for easy access	✓	✓	✓
Strengthened Tempered Safety Glass	✓	✓	✓
Interior Access Panel	✓	✓	

Units Information

MK557/33

System	Electric Parameter			Size		
	Voltage	Power	Frequency	Length	Width	Height
Steam System	220V	3KW	60-50Hz	59 Inch	29 (33) Inch	88 Inch
Whirlpool Tub	110V	.75KW	60-50Hz	1500 mm	840 mm	2200 mm

MK545

System	Voltage	Power	Frequency	Length	Width	Height
Steam System	220V	3KW	60-50Hz	71 Inch	33 (39) Inch	88 Inch
Whirlpool Tub	110V	.75KW	60-50Hz	1800 mm	1000 mm	2200 mm

MK547

Steam System	220V	3KW	60-50Hz	53 Inch	53 Inch	86 Inch
Whirlpool Tub	110V	.75KW	60-50Hz	1300 mm	1300 mm	2200 mm

PLUMBING REQUIREMENTS FOR MK557/33, MK545 & MK547

- The unit is equipped with hot and cold, metal braided water supply hose with ½-inch national pipe thread.
- All water jet features are pre-plumbed with reinforced flexible supply hose
- Install hot and cold shutoffs with ½ -inch male national pipe thread (not included)..
- **Drainage:** It is advised to have tub onsite before preparing drain location. The diameter of the drain hole should be larger or equal to $\Phi 40\text{mm}$ (1.6 inches).
- 3-foot water supply hoses are supplied to connect from the faucet/manifold (manifold is attached approx. 4 ft. high on rear/center of unit- see drawings) to water supply (shutoffs should be located where they can be easily accessed). **Note:** tub edge sets directly against back and sidewall. Do not install any pipes along walls as to impede the tub from setting flush against them

Plumbing connections

- **Connect hot and cold supplies just before unit is set into place**

NOTE: A flexible drain hose is provided with the unit. We recommend taking off this flex drain hose and hard pipe the unit into existing drain. This will not void the warranty. Access panel near controls, pumps, and jets is recommended.

Note: All fixtures and fittings must be checked for tightness and leaks as they may have loosened during transport.

ELECTRICAL REQUIREMENTS FOR MK557/33, MK545 & MK547

- **Steam box** -220V 3.KW/13.6 amps - 1 dedicated 12-2 wire (line 1, line 2, and ground) 220 volt,
- 20 amp GFCI breaker/ (*Dedicated line for steam box only.*)
- **Water pump** (2nd dedicated line needed for pump) **Water pump is 110 volt-** .75 KW/ 7 amps
1 Dedicated 12-2 wire with 110 volt- 20 amp GFCI breaker. (may plug into existing 110v circuit.

Electrical Connections

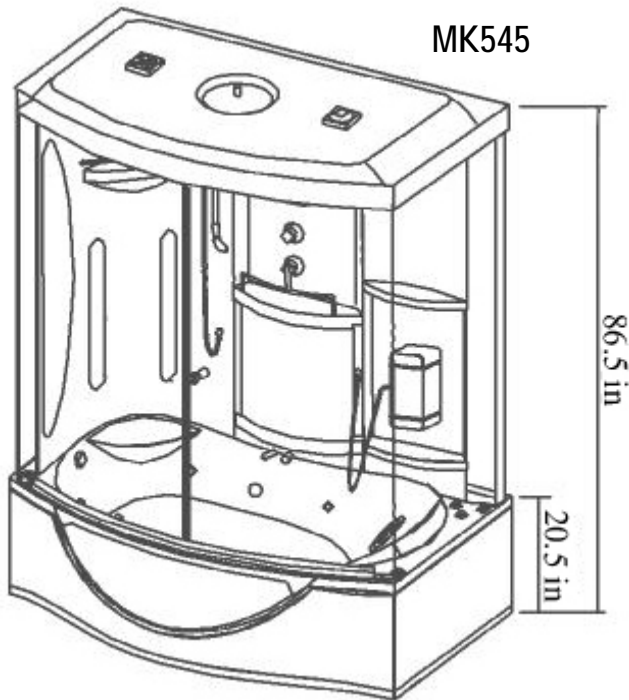
- Connect the overhead light, speaker, fan, CD, telephone according to the tags on the wires.
- Do not connect the wire "O3" to anything.
- Make all electrical connections, including both main equipment power supplies just before unit is set into place.
- *220V is used for Steam Generator and 110V is used for the Whirlpool Tub.*

Caulk all the seams and joints with 100% silicone caulk.

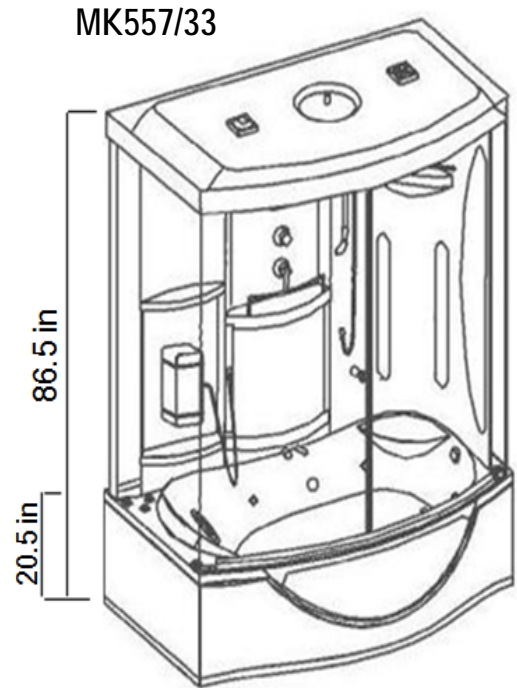
1-866-783-2661 Customer Service

MK545 & MK557/33

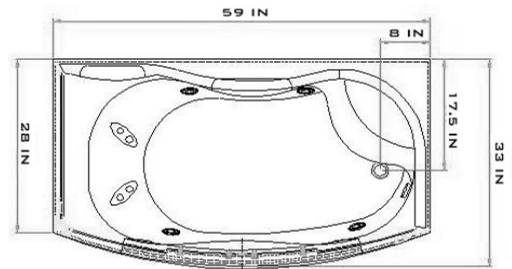
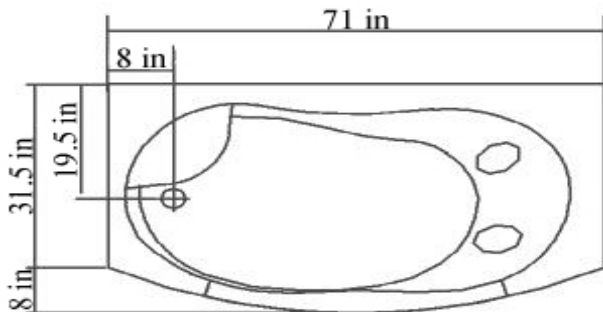
Note: Please be advised, this manual illustrates the assembly of left side drain models! The installation for MK557/33 & MK545 is the same and the same for Left and Right hand models.



MK545



MK557/33

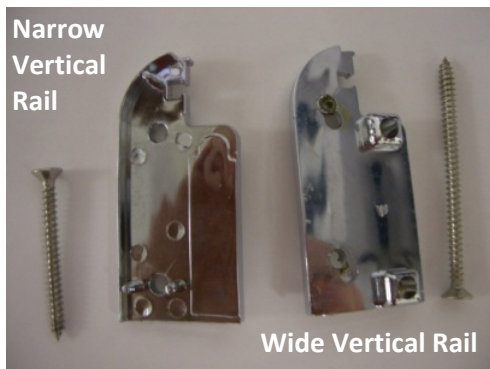


US Measurements (inches)	Metric (mm)
86.5	2200
71	1800
59	1500
33	840
31.5	800
20.5	570
19.5	495
17.5	450
8	200

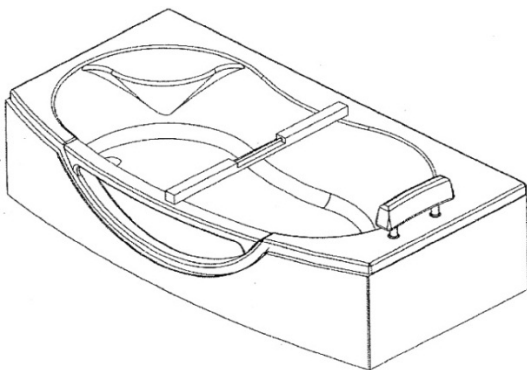
INSTALLATION INSTRUCTIONS FOR MK557/33 AND MK545

Note: *Silicone all joints & seams*

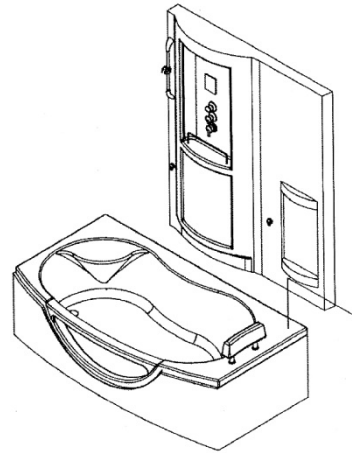
1. Four chrome plated plastic spacers rest *in between* the vertical and horizontal glass frame rails. These are in a separate parts bag along with the screws needed to assemble the glass doorframe. There are also eight screws; four are longer than others. The longer screws are used to attach the two wider vertical rails to the horizontal rail of the doorframe system.



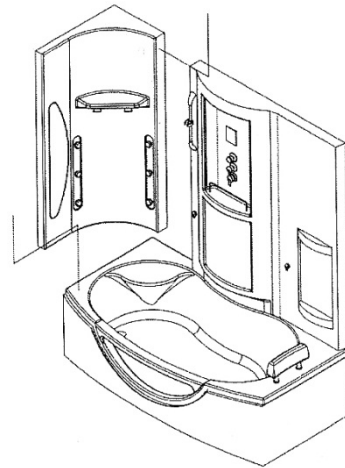
Note: It is recommended that the doorframe and fixed panels be assembled first and placed aside. This will allow you to caulk between each panel during assembly and you will not have to stop and build the glass frame when it is time to attach it to the side panels. **Note:** For possible future servicing, it is recommended that the flooring be run underneath the unit. This way the unit can be slid out if necessary and not have to be lifted over a lip. See step 6.



2. Place the tub in its final resting place, use the level ruler to measure, and adjust the feet to make the tub level. Attach the headrest. Move unit out to begin assembly of the unit. It is necessary for all feet to be touching the ground.



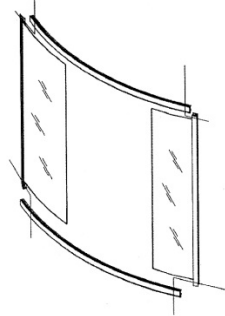
3. Place the backboard on the tub; use the M6X25 bolt and nuts to fix the back panel to the tub.



4. Put the curved side panel on the tub; use the M6X25 bolts to attach to main panel and the tub. This will make all the rest of the panels more stable.

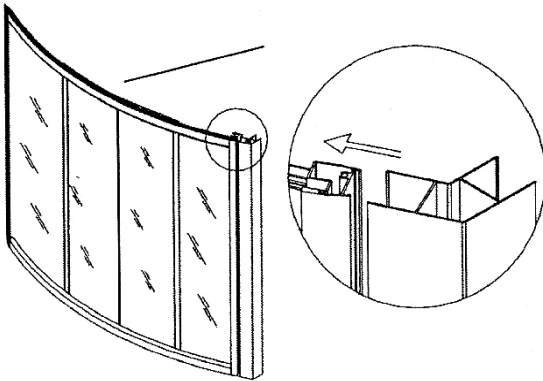


5. Place the large side glass on the tub opposite of the drain; use the M4X20 screw to connect the right side glass and the back panel. (this panel has chrome on all sides)

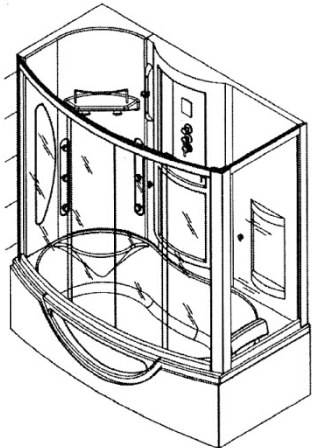


- Put the fixed glass door into the aluminum rail; use the ST4X30 self-tapping screw to assemble them together. (Impact driver would work well here with a *long* bit). The panels are labeled left or right.

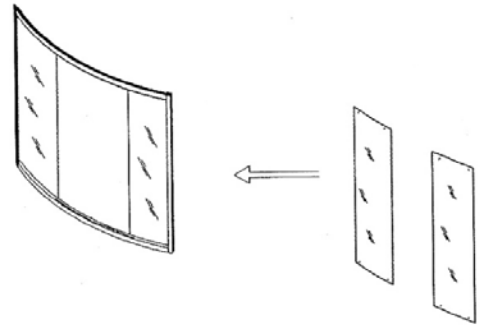
Note: When removing the glass panels from the box, hold the glass panel & chrome firmly. Not doing so, may result in the glass slipping out. The horizontal rail with a gasket is the bottom rail.



- Insert the right side doorframe into the corner aluminum, as shown in the picture.

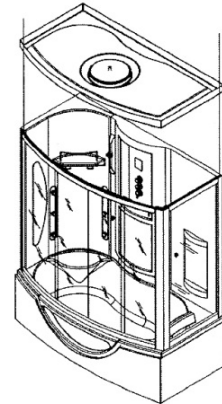


- After placing the glass on the tub, use the M4X20 screw to attach the left side panel and glass door into place.

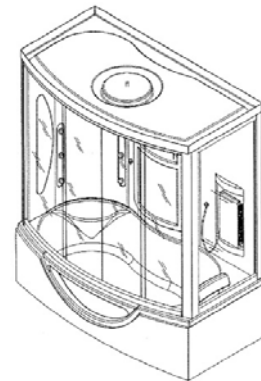


- Place the sliding door glass into the doorframe; insert the rollers on the aluminum rail to finish assembling the door. (Rollers containing springs belong as bottom rollers)

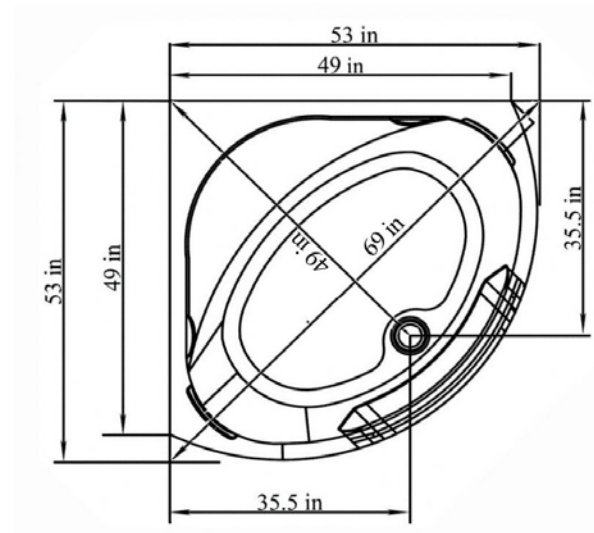
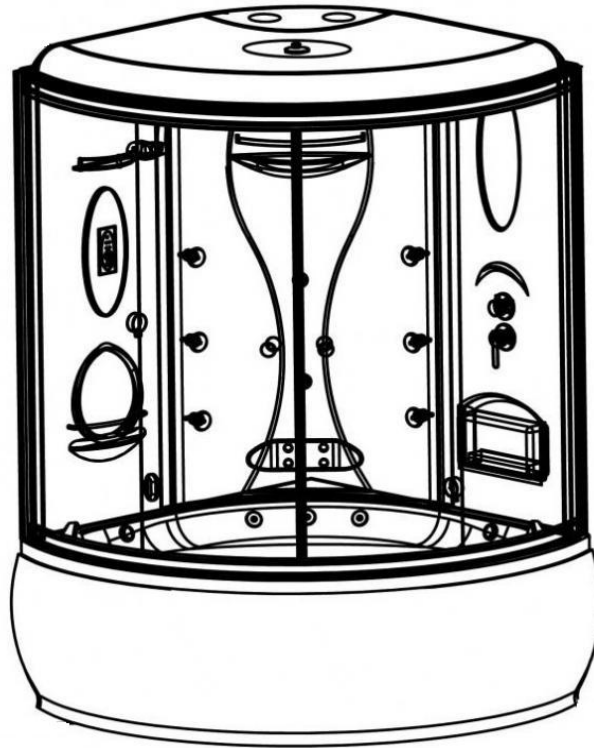
- Gaskets:** Each unit has six (6) door gaskets, four plastic gaskets and two magnetic gaskets. The magnetic gaskets are to be installed on the outer edge of the door to form a tight seal. The remaining seal gaskets will be in two lengths, the longer of the gaskets are attached to the backside of the moveable door. The flap should be towards the fixed glass panel. The shorter gasket gets attached to the open side of the fixed glass panel. Note: the flaps on the gaskets should touch to create a flush seal.



- Place top onto the unit. Use M6X25 nuts and bolts to fasten the lid with the side panel and into place. Use ST4X16 self-tapping screw on the front to fasten the aluminum rail with the lid.



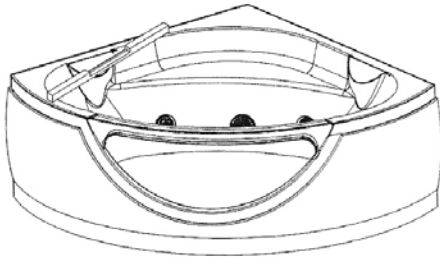
MK547



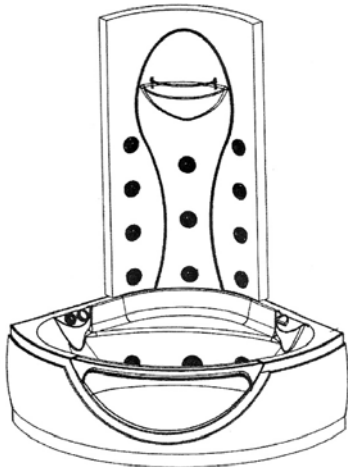
US Measurements (inches)	Metric (mm)
86.5	2200
69	1750
53	1350
49	1250
35.5	900

INSTALLATION INSTRUCTIONS FOR MK547

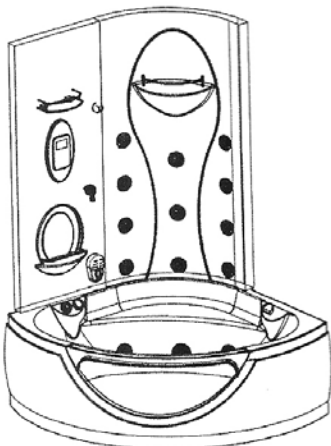
Note: Silicone all joints & seams



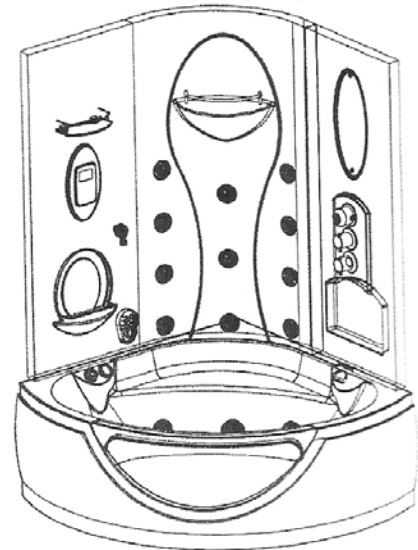
- 1 Place the tub in its final resting place, use the level ruler to measure, and adjust the feet to make the tub level. Move tub out to begin assembly. It is necessary for all feet to be touching the ground.



- 2 Place the middle backboard on the tub; use the M6X25 nuts and bolts to connect the panel to the tub.



- 3 Put the left side panel on the tub; use the M6X25 nuts and bolts to connect main panel and the tub. This will make all panels more stable.

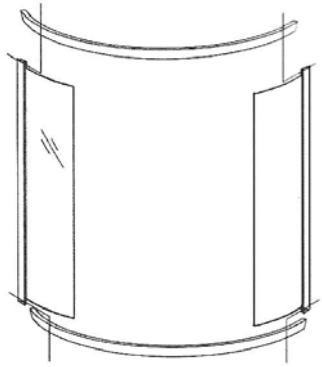


- 4 Place the right side panel on the tub; use the M6X25 bolts to connect to the middle curved panel and the tub.
- 5 Four chrome plated plastic spacers rest in between the vertical and horizontal glass frame rails. These are in a separate parts bag along with the screws and need to be assembled with the glass doorframe.



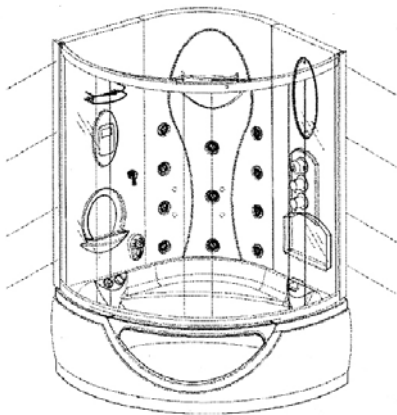
Note: It is recommended that the doorframe and fixed panels be assembled first and placed aside. This will allow you to caulk between each panel during assembly and you will not have to stop and build the glass frame when it is time to attach it to the side panels.

Note: For possible future servicing, it is recommended that the flooring be run underneath the unit. This way the unit can be slid out if necessary and not have to be lifted over a lip. See step 6.

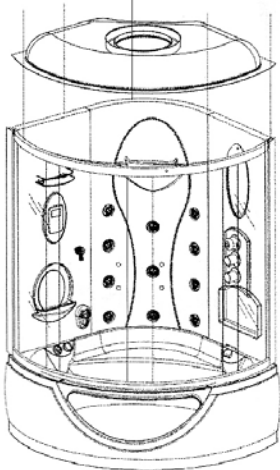


- 6 Place fixed glass door into the aluminum rail, use the ST4X30 self-tapping screw to fasten them together.

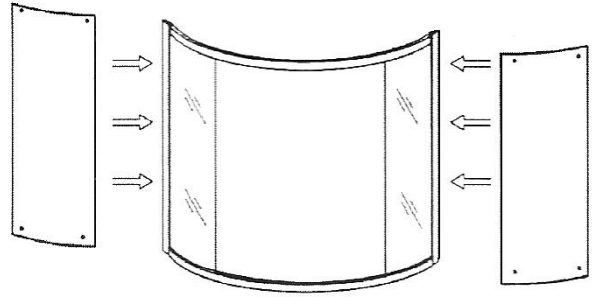
Note: When removing the glass panels from the box, hold the glass panel & chrome firmly. Not doing so, may result in the glass slipping out. The horizontal rail with a gasket is the bottom rail.



- 7 Place the glass door system on the tub; use the M4X20 screws to attach the side panels to the aluminum rails.

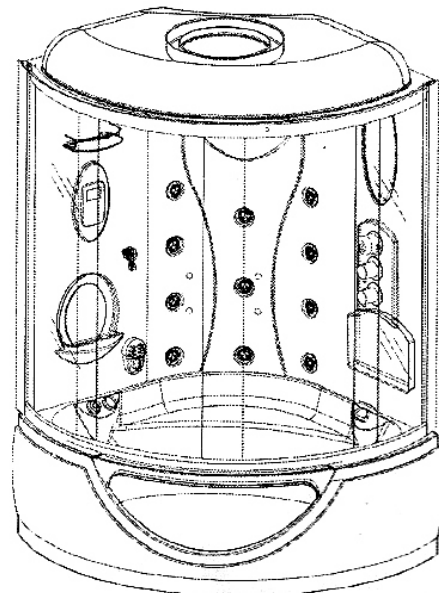


- 8 Put the top onto the unit, use M6X25 bolts to attach the lid with the side panel into place. Use ST4X16 self-tapping screw to attach the aluminum rail to the top.

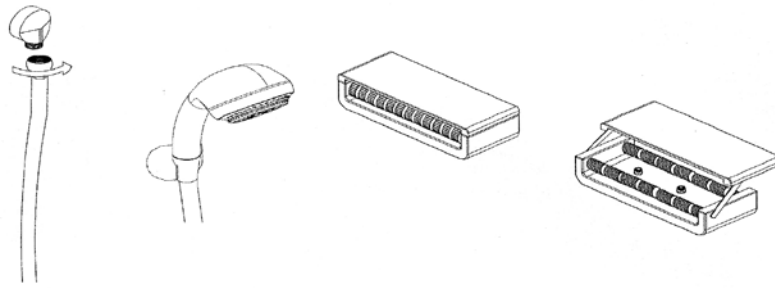


- 9 Place the sliding door glass into the doorframe; insert the rollers on the aluminum rail to finish assembling the door. Note: Rollers with springs are the bottom rollers.

- 10 Gaskets: Each unit has six (6) door gaskets, four plastic gaskets and two magnetic gaskets. The magnetic gaskets are to be installed on the outer edge of the door to form a tight seal. The remaining seal gaskets will be in two lengths, the longer of the gaskets is attached to the backside of the moveable door. The flap should be towards the fixed glass panel. The shorter gasket gets attached to the open side of the fixed glass panel. Note: the flaps on the gaskets should touch to create a flush seal.

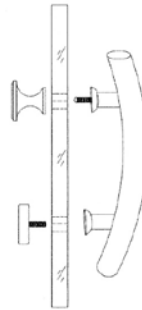


- 11 Check all the connections again, tighten all screws, fixtures, and water connections.



Attach the head of handheld shower to the hose. Connect the foot massage the same way. When you use the foot massage, please open it as in the above picture.

Assemble the door handle according to the picture.



***DIAGRAM FOR CONNECTING THE TOP AND LIGHT REPLACEMENT FOR MK545, MK557/33 & MK547 AND CONNECT RAINFALL SHOWER HEAD. Replacing the overhead light on the MK557/33, MK545 & MK547**

1. Make sure water and electricity are turned off
2. Disconnect the water supply line from the stem of the rainfall showerhead on the top of the unit.
3. Caution: **READ THIS PART FIRST** - this part takes two people, remove the nut from the rainfall showerhead stem at this point the showerhead **and** light cover will come free and will fall if not supported from the inside.
4. On the top of the unit 4 or 5 inches from the hole where the showerhead stem was there will be three plastic screw heads about the size of a nickel. Unscrew these three screws and the light will come free.
5. Unplug the wire at the connection point on the top of the unit.
6. Feed the wire through the hole inside the unit.
7. To reassemble the unit reverse the procedures above



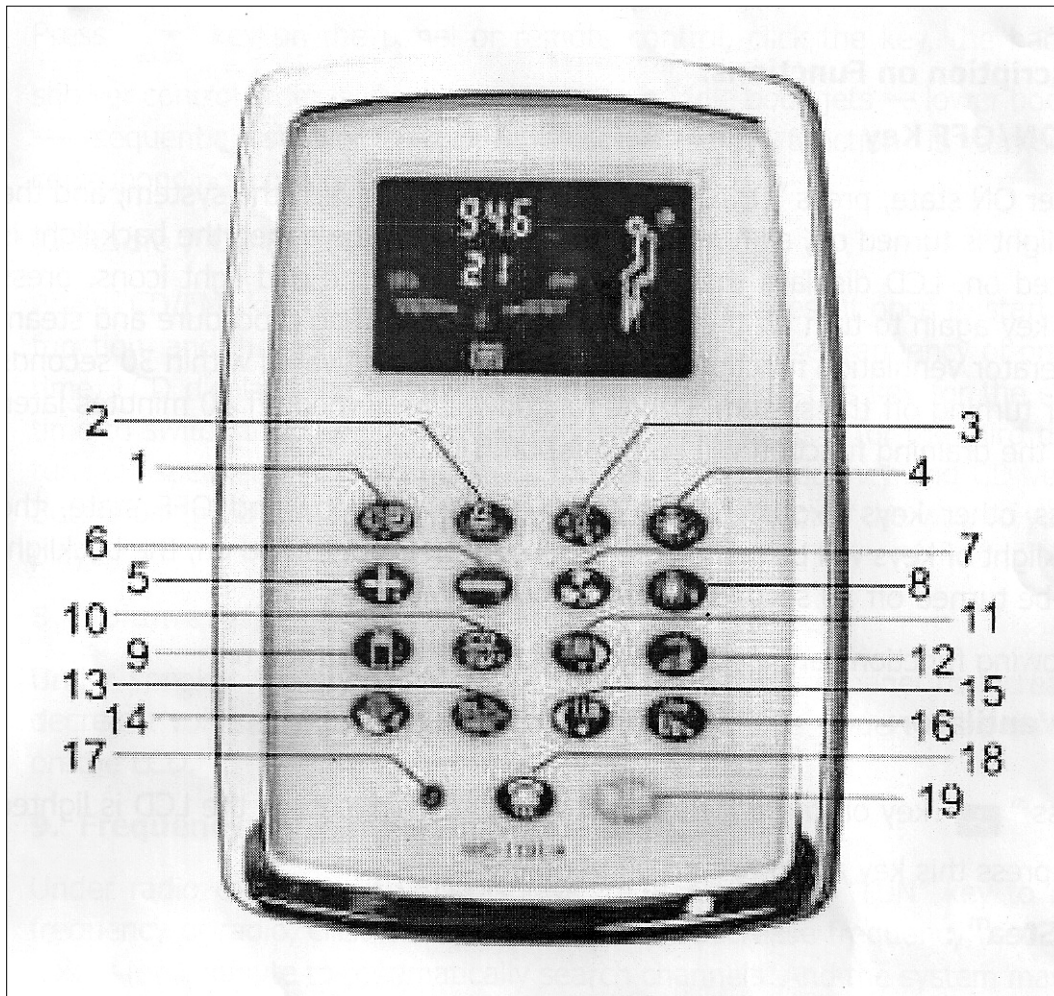
Cleaning & Maintenance Information for MK545, MK557/33 & MK547

1. Liquid detergents and soft cloths should be used. **DO NOT clean with acetone and ammonia detergents. Do not use detergents with formic acid or formaldehyde. Do not use any abrasive cleaners.**
2. Blemishes can be wiped away by soft cloth and household toothpaste or rubbing compound.
3. The scale on the surface can be cleaned by soft cloth with appropriate cleaning supplies or a solution of heated white vinegar.
4. To deal with slight scratches, wet sand with citric acid 1200 sand paper, and then polish it with a rubbing compound or regular housed hold toothpaste.
Note: If you cannot buff out the scratches from the acrylic, please contact your local tub repair professional.
5. After every 20 times uses, we suggest cleaning the steam generator. Make a solution mixed with 1.5-1.7 liter of warm water and 5-10 grams of citric acid. White vinegar can be substituted. Pour the solution into the steam generator through the water inlet. Switch steam unit on after 8 to 10 hours; let it run for approximately 60 minutes and allow vinegar cleaning to burn off as steam.
6. To properly care for the **whirlpool tub**, follow these instructions
 - a. Determine your usage. If you use your tub regularly, then more regular monthly cleaning and maintenance is going to be necessary. If you only use your tub occasionally, maintenance every three to four months will be adequate.
 - b. Set air control knobs. If your tub has this feature, make sure they are closed.
 - c. Fill tub. Fill the tub high enough so that it reaches nearly two inches above the highest jets. This water does not have to be hot, but it will be more effective if it is at least warm.
 - d. Add a cleaning solution (two tablespoons of dishwasher detergent) to the tub of water. This can be regular detergent that you would use in your dishwasher. Powder or liquid will work.
 - e. Run the whirlpool. Turn the tub's jets on and let it run for 15 to 20 minutes. This allows for water and cleaning solution to cleanse as it flows through the tub's plumbing system and cleans out any residue in the pipes.
 - f. Drain and rinse. Allow the tub to drain normally, rinse the tub out and then clean the tub itself with a non-abrasive cleanser.
 - g. Use bleach in the next cleaning. Add 1/2 cup of regular, household bleach to the water when you clean the tub next time.
 - h. Avoid high foaming soaps. When bathing in your whirlpool tub, do not use bath salts, mineral salts or bubble bath. The use of very high foaming soaps is also not recommended. These salts and soaps can cause residue to build up in the plumbing system of the tub.
2. We advise to use a filtration system for the steam generator unit. A recommended filtration system is **Whirlpool WHKF-DWHV**.

General Use and Maintenance Information for MK545, MK557/33 & MK547

- A. If the bath is not to be used for a long period, it is recommended that the system should be sanitized after last bath before you leave, and again before the first use.
- B. Drops of water will continue to drain out the jets after the use for some time, this is normal.
- C. Abrasive cleaners must not be used on chrome or gold plated fittings.
- D. Always shut off the power supply when the system is not in use.
- E. If an underwater light is fitted, DO NOT switch it on unless the lens is completely covered by bath water.

BF1101 Control System for MK545, MK557/33 & MK547



- | | | | |
|-----|---|-----|------------------------|
| 1. | Timing and Temperature setting | 11. | Radio frequency -Up |
| 2. | Rainfall shower | 12. | Volume Increase |
| 3. | Body Massage Jets | 13. | Radio frequency Memory |
| 4. | Top light | 14. | Steam ON/OFF |
| 5. | Time / Temperature Increase | 15. | Radio frequency -down |
| 6. | Time / Temperature Decrease | 16. | Volume decrease |
| 7. | Circulation Fan | 17. | Remote sensor |
| 8. | Back light <i>(not active for this model)</i> | 18. | Telephone |
| 9. | Sauna <i>(not active for this model)</i> | 19. | Power on/off |
| 10. | Radio on/off and CD connection | | |

Description of Functions


1. ON/OFF Key

Under ON state, press "ON/OFF" Key on the panel to start the system, and the top light is turned on, all functions are activated on the panel, the back light is on, LCD shows the temperature and all icons are lit; press the "ON/OFF" to shut off the system.


Press other keys except "ON/OFF" key under standby and OFF state, the backlight will come on, if the systems is not turned on, the backlight will be turned off in 30 seconds.

Following functions are available when the system is on:

2. Circulation Fan:

Press  key on the panel to start the fan the icon will light up on the LCD screen. Pressing the fan key again, will shut down the circulation fan.


3. Steam:

Press  key on the panel. The default steam time is 45 minutes, and the highest temperature is 45°C (113°F). By pressing the steam key again, the steam system will shut off.


4. Steam Temperature and Time Setting:

Press "FUN" (function) key on the panel until temperature icon is flashing on the screen, system will enter into steam temperature setting state. Press "+" or "-"key to increase or decrease temperature. The temperature range is 25-60°C (77-140°F); press this key again to enter into time setting state. The time range is 1-99 minutes. If time or temperature is not adjusted within 5 seconds, the system will automatically recover to display environment temperature.



5. Rainfall Showerhead:

Press  key on the panel to start or turn off rainfall showerhead function, the icon on the screen will illuminate.

6. Back Jets Massage:

Press  key on the panel or remote control to operate the jets. The control order: upper body jets, middle body jets, lower body jets, shower OFF (in sequential order). If any of the functions are turned on, the corresponding icon will light up.

7. CD/FM Function:

Press  key on the control panel or remote to activate the FM Radio, the corresponding icon will light up on the control panel. The system will automatically switch to the previous frequency. Pressing this key the second time, will switch the function to CD mode. The display will show the corresponding icon. Pressing the  again will shut off the system.

8. Volume Adjustment:

When the speaker is ON, pressing the "+" or "-"on the key panel to increase or decrease the volume. When changing the volume, the LCD monitor will display the corresponding changes.

9. Frequency or Channel Adjustment:


When the radio is ON, press the "TUN" key to adjust the frequency (radio channels). Pressing the button once, will increase or decrease the frequency by 0.1MHz, holding it for 1 minute will automatically search channels. The search will stop once the next station is found, and the LCD panel will display the corresponding channel. When the system displays channel, press "+" or "-"key to adjust channels, the range is 1-25 channels.

Description of Functions Cont'd

10. MEM, HZ, CH Selection Key:

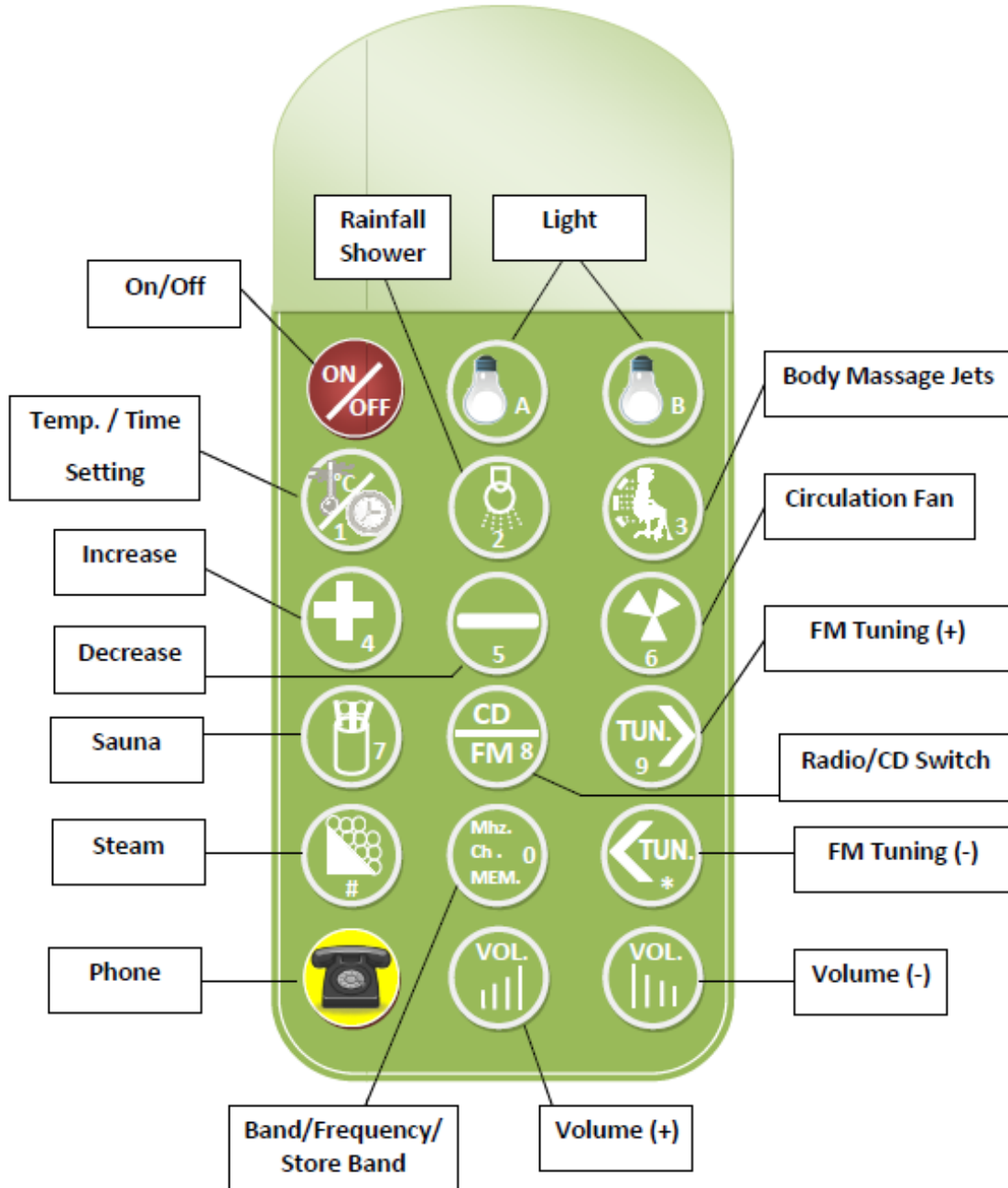
When radio in ON, press "MEM" key to select radio frequency (H) or channel (CH). Hold this key to store the correct frequency into channel, LCD display will show "MEM" when stored.

11. Telephone Function *(Operational only when is plugged in or available):*

When there is an incoming call, telephone will ring, system will automatically shut off the radio/CD. Press  key on the panel to stop the ring and receive the phone call. LCD display will show the telephone icon; also, the shower functions will automatically shut off. Press phone key again to end the call. (You cannot dial out)

12. Mood Light:

Top light will turn on when the system is activated. Press the Light key on the panel or remote control to turn on or turn off the mood light.



- **Note:** Sauna key does not have any functions for this model
- **Note:** Rainfall shower and body massage jets are electronically controlled.

Troubleshooting for MK545, MK557/33 & MK547 *Note:* Within the Warranty period, please do not take off the decals from the computer control boxes and the steam generator without manufacturer's permission. Please do not maintain or change the circuit by yourself. When calling for service questions, please provide your model number, serial number, Purchase Order, and type of problem you are having

Problem	Possible Reason	Solution
Unit does not start	<ol style="list-style-type: none"> 1. Power line is not connected properly. 2. Insufficient power supply. 3. Fuse is damaged 4. Current GFCI Breaker switch is damaged. 	<ol style="list-style-type: none"> 1. reconnect the power supply 2. Power supply must reach 50/60Hz 3. Replace the 2A fuse 4. Replace the circuit breaker.
Switch failure	<ol style="list-style-type: none"> 1. Current circuit breaker damaged 2. Short circuit 	<ol style="list-style-type: none"> 1. Replace the circuit breaker. 2. Recheck the circuit.
Automatic shutdown	<ol style="list-style-type: none"> 1. The intake valve or drain valve is damaged 2. The drain attached to the drain valve is jammed. 	<ol style="list-style-type: none"> 1. Replace the intake valve or drain valve. 2. Clean the water pipe.
	<ol style="list-style-type: none"> 1. Electric components were damaged. 2. Electrical circuit has tripped 	<ol style="list-style-type: none"> 1. Repair or replace the corresponding components. 2. Reconnect the circuit.
No steam	<ol style="list-style-type: none"> 1. Water supply is bad 2. Water pressure is too low 3. The heating element of the steam generator is damaged 4. No water in steam generator 5. Steam pipe is jammed or broken 6. Heating time is not set 7. Temperature in the unit is higher than the set steam temperature 	<ol style="list-style-type: none"> 1. Wait for the water supply to come in, restart. 2. Pressure pump should be added. 3. Replace 4. Check the water inlet valve. 5. Clean out the pipe. 6. Wait for the temperature to drop below the set temperature, and automatically reset to vaporize (or adjust the temperature higher)
Automatic Protection	<ol style="list-style-type: none"> 1. Water pressure is too high 2. Intake valve or drain valve is jammed 3. Drain pipes and drain is jammed 4. Steam pipes are jammed 	<ol style="list-style-type: none"> 1. Reduce pressure. 2. Clean up the jammed materials in the intake and drain valves 3. Clean out the drain and drain pipes 4. Clean the steam pipes
No sauna	<ol style="list-style-type: none"> 1. Heating element is damaged 2. Circuit board or a component is damaged 	<ol style="list-style-type: none"> 1. Replace the heating element 2. Replace circuit board or the component
Temperature is too high	<ol style="list-style-type: none"> 1. Preset temperature is too high 2. Temperature sensor is damaged 	<ol style="list-style-type: none"> 1. Adjust the temperature lower 2. Replace the sensor
Steam is Shutting off	<ol style="list-style-type: none"> 1. Preset time ran out 2. Preset temperature is too low 3. Heating element is damaged 	<ol style="list-style-type: none"> 1. Reset the time 2. Increase the temperature higher than the temperature inside 3. Repair or replace the heating element
Water droplets from steam outlet	<ol style="list-style-type: none"> 1. The water sensor is not working 2. The water level checking circuit is not working 	<ol style="list-style-type: none"> 1. Check the sensor 2. Check the water level checking circuit
Audio not working	<ol style="list-style-type: none"> 1. No signal 2. Not pressing Volume/DC shift key 3. Speaker is damaged 4. Antenna is loose 5. Circuit board is damaged 6. Circuit is loose, or there is no contact 	<ol style="list-style-type: none"> 1. Adjust the FM signal 2. Press the Volume/DC shift key 3. Replace the speaker 4. Connect the antenna and adjust the direction 5. Replace circuit board 6. Re-plug the circuit component or replace
Screen problem	Problem with the control cable	Check the control cable, release and re-plug in the white head again. Make sure the arrow at the connection is lined up.
Valves problem	Water level control cable is not connected	Check the water level control cable between steam generator and the electrical box. Release the screw and re-plug in the head.