



HY1X41

FEATURES

- ❖ Free Standing
- ❖ 17" High (ADA's height requirements) Molded Seat
- ❖ Easy 4-6hrs Installation
- ❖ Available in Left or Right Hand Models
- ❖ Waterproof outward opening door with locking mechanism – 32"
- ❖ Hand held shower
- ❖ High volume tub filler
- ❖ Safety grab bars
- ❖ Front access panel
- ❖ 2" drain system
- ❖ Limited Life Time Warranty on the door seal
- ❖ 8" Extension Panel (optional extra)

HY-1X41 Options

HY-1241 Tub with 16 Heated Air jet, faucet & controls

HY-1341 Soaking tub with faucets and controls

TECHNICAL INFORMATION

- **Materials:** ABS composite acrylic with fiber glass backing
- **Dimensions:** 51 x 27 x 40 IN
- **Non Occupied Water Capacity:** 55-65 gallons

PLUMBING REQUIREMENTS

- Unit is equipped with flexible, metal braided NPT ½ inch water supply hose with NPT ½ female threaded connectors
- Need to install hot and cold shutoffs with NPT ½ male threaded nipples (not included)
- It is advised to have tub onsite before preparing drain location.

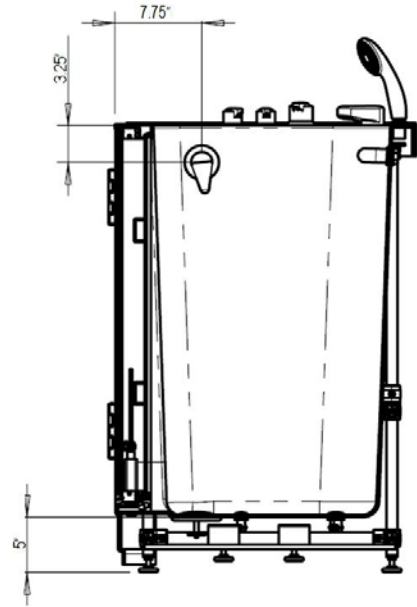
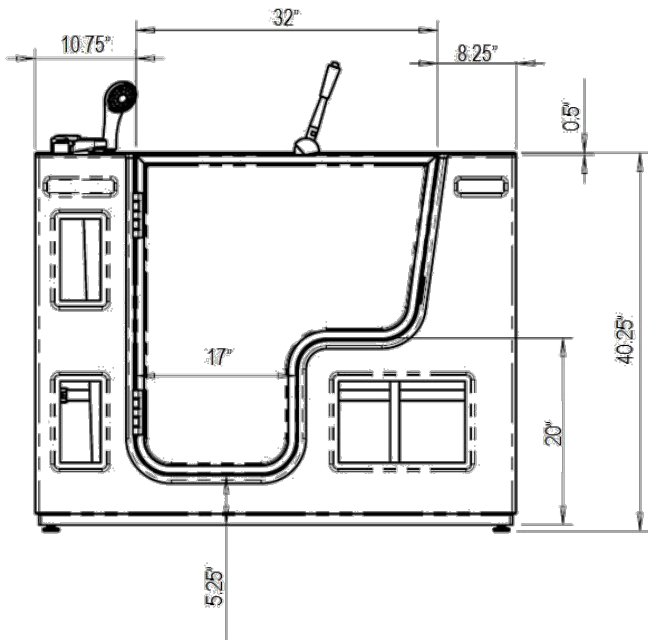
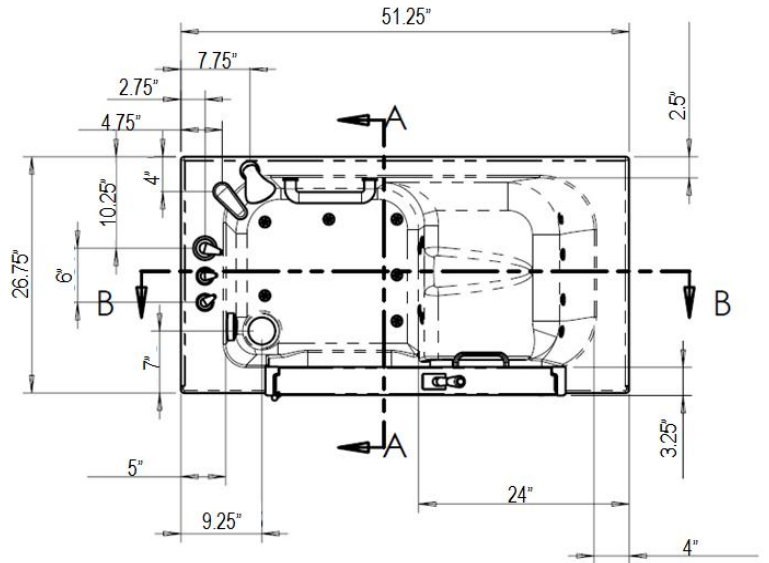
ELECTRICAL INFORMATION FOR HEATED AIR PUMP (HY 1241)

- Air jet motor with heater 110 volt
- Dedicated 12-2 wire with 110 volt, 15-20 amp GFCI breaker

GENERAL INFORMATION

- **Note:** It is advised to have the tub onsite before preparing drain location. Unit must be leveled in its permanent position and all feet must be on the ground to fully support the tub. Tub must be secured to wall and/or floor. *Manufacturer reserves the right to change specs or features at anytime. Please check to confirm details. 1-866-783-2661*

HY-1341-I eft



HY-1341-Right

